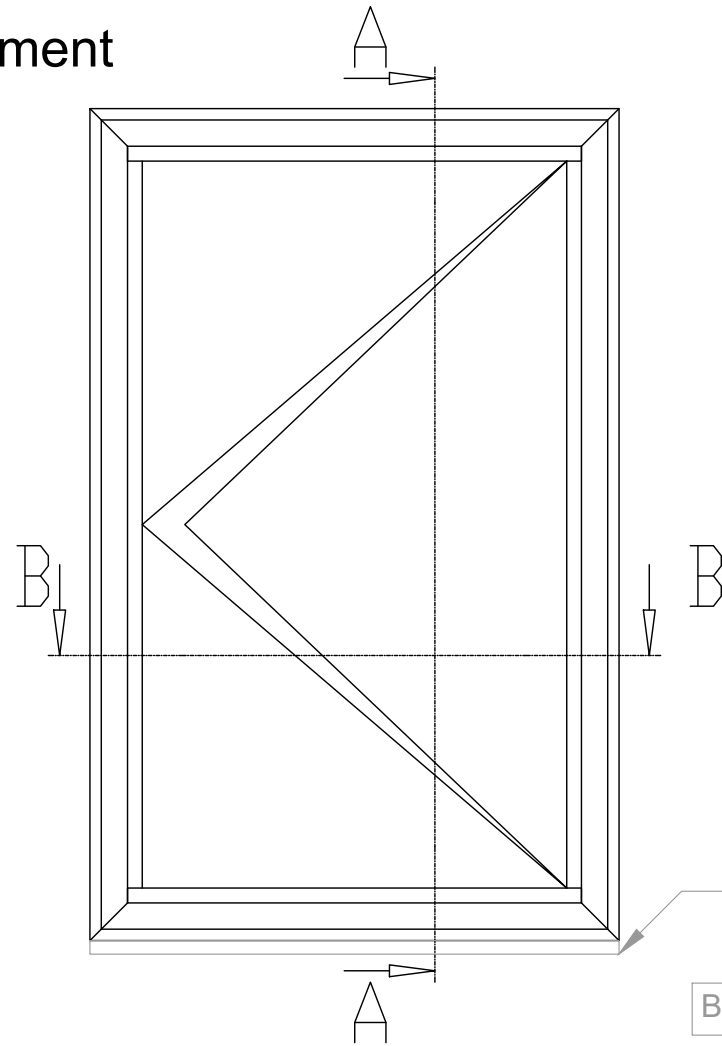


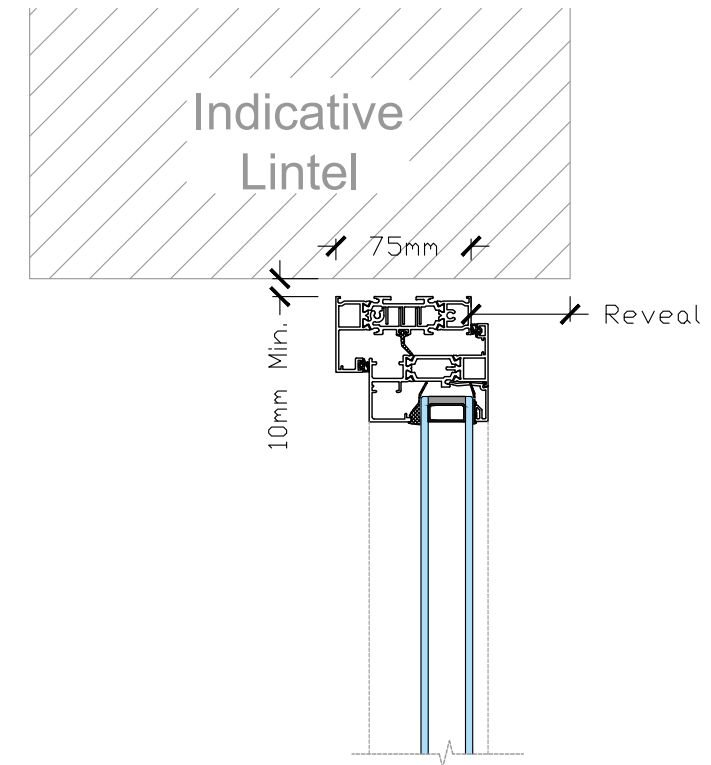
ODC75si Slimline - Casement
1:10



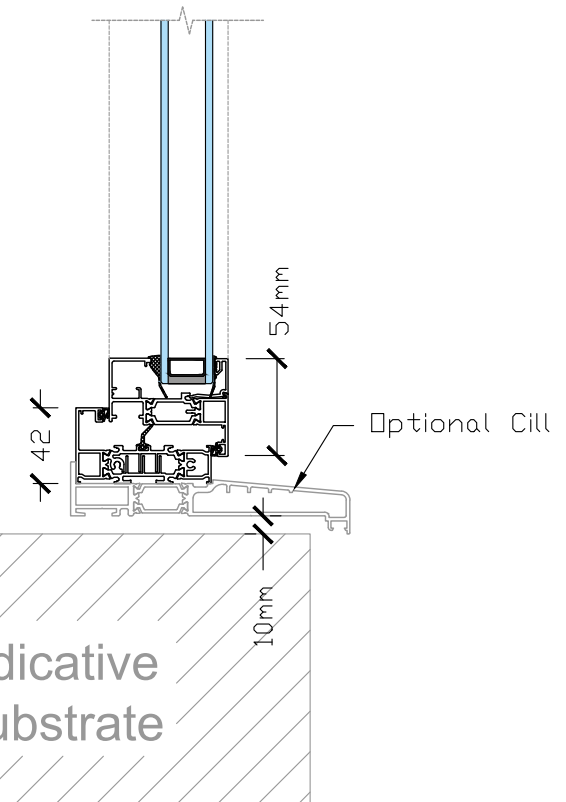
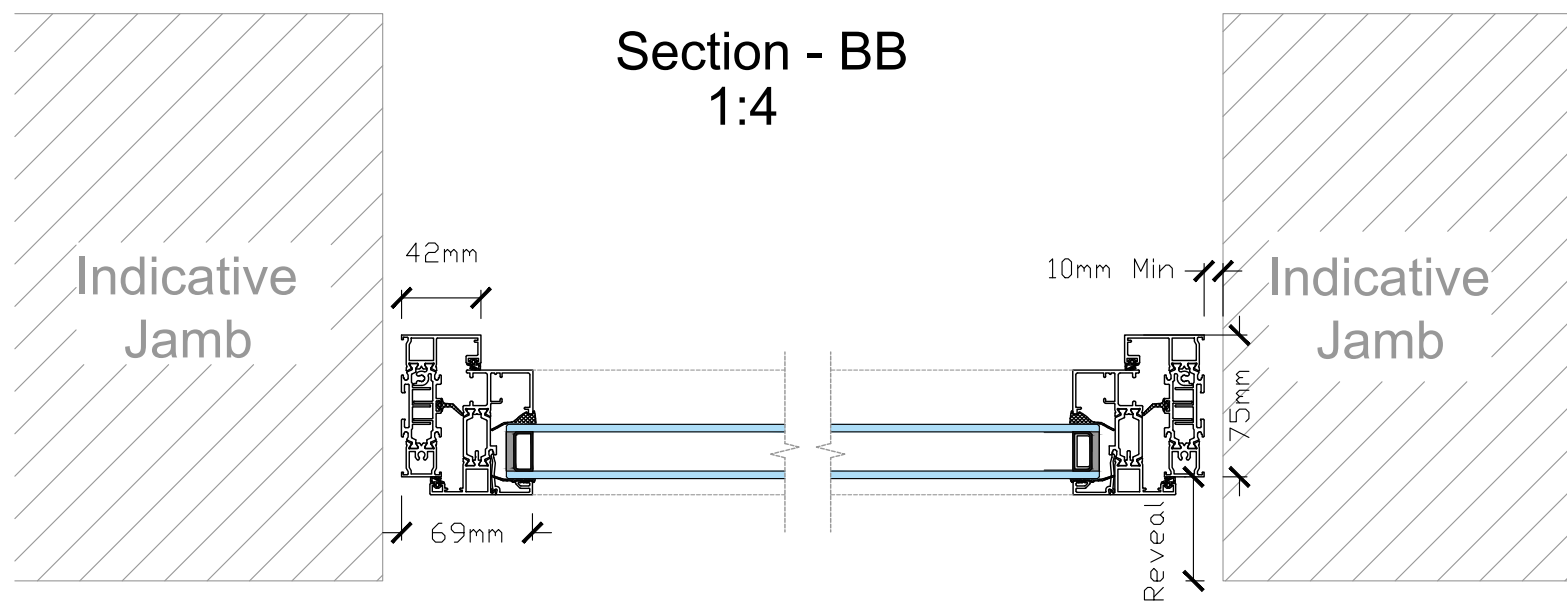
- Cill Options:
100mm
135mm
155mm
190mm
250mm

Bespoke cill pressings available

Section - AA
1:4



Section - BB
1:4



ODC75SI

ODC Standard Products
© All Rights Reserved

Drawing:

ODC75si - Slimline
Casement

Date: 27/01/21

Scale: 1:10 / 1:4 @ A3

Drawing No:

ODC-SP-75SI-SLCAS-C



ODC Door Glass Systems Ltd
www.odcglass.co.uk