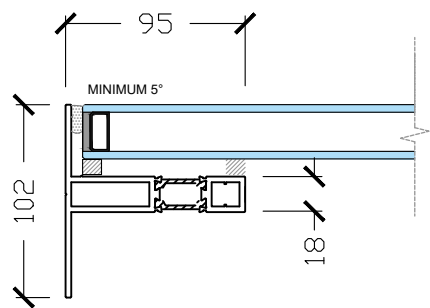


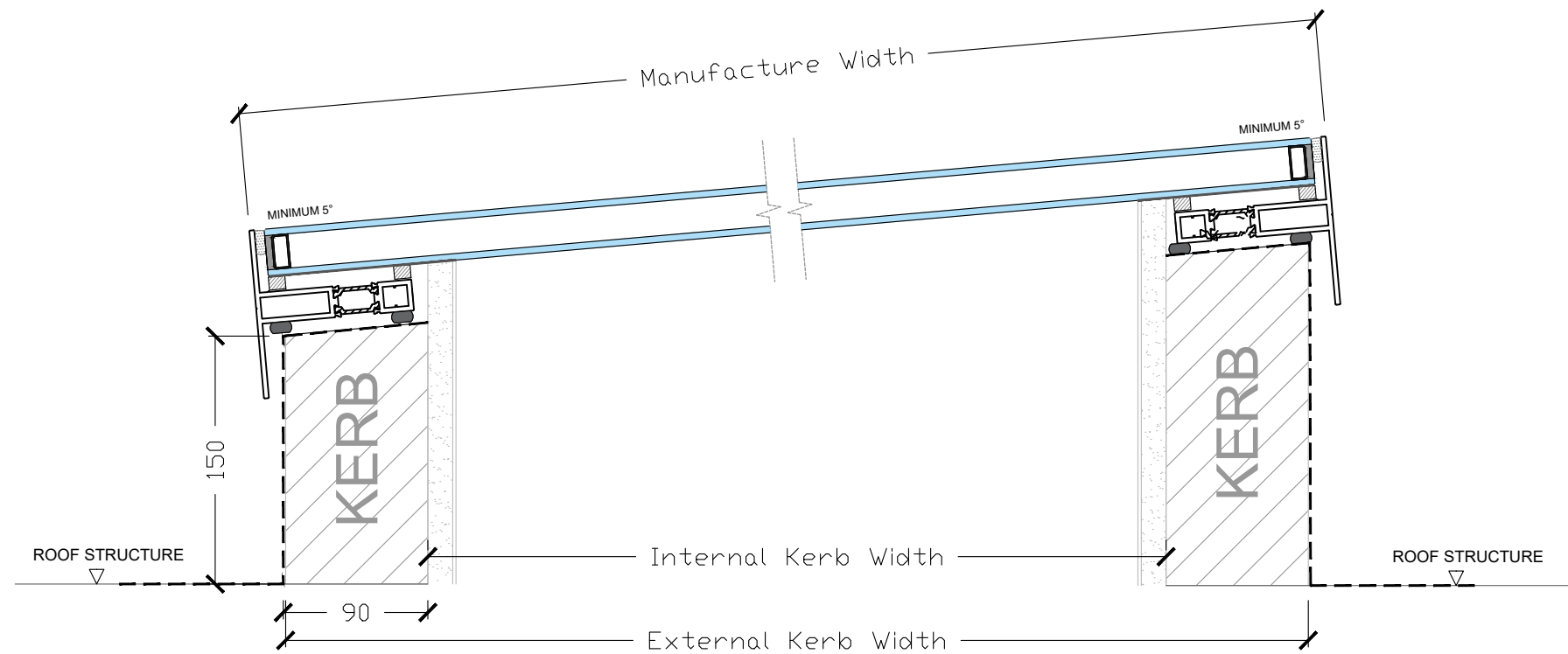
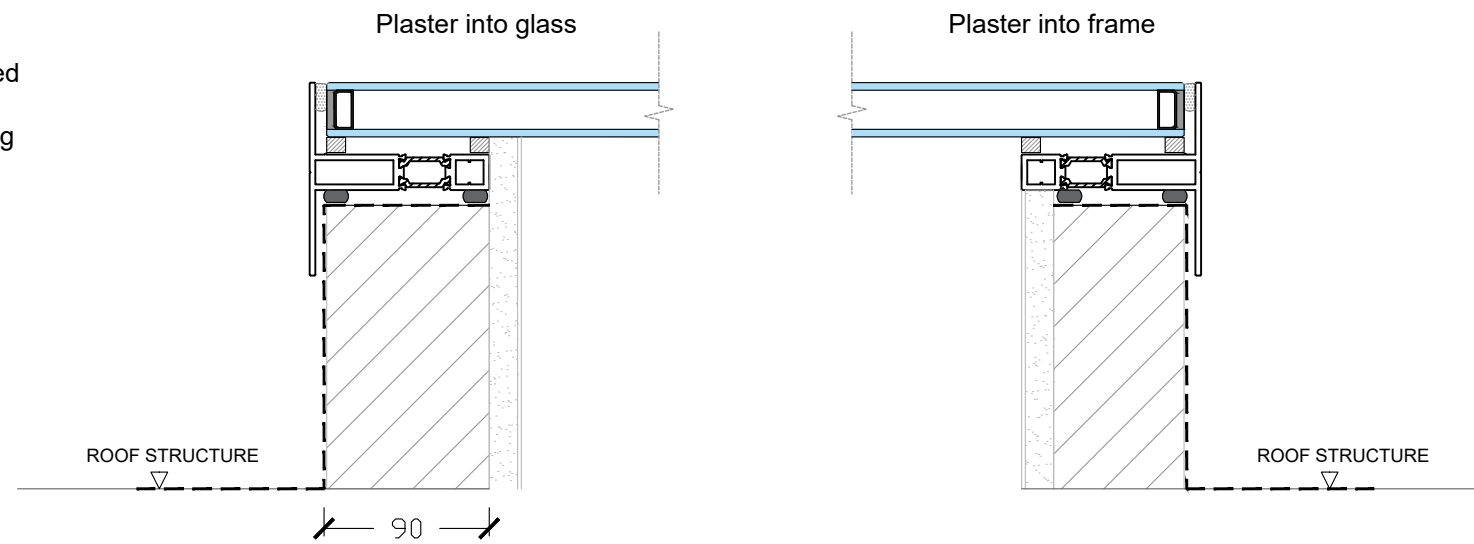
## ODC Flat Rooflight

Minimum Pitch: 5°  
 Maximum Pitch: 45°  
 Standard Black Vinyl: Supplied at 200mm to be cut in after finishes have been applied  
 Upstand Height: Minimum 150mm to comply with building regulations  
 Upstand Width: Recommended upstand width 90mm including external waterproofing finishes

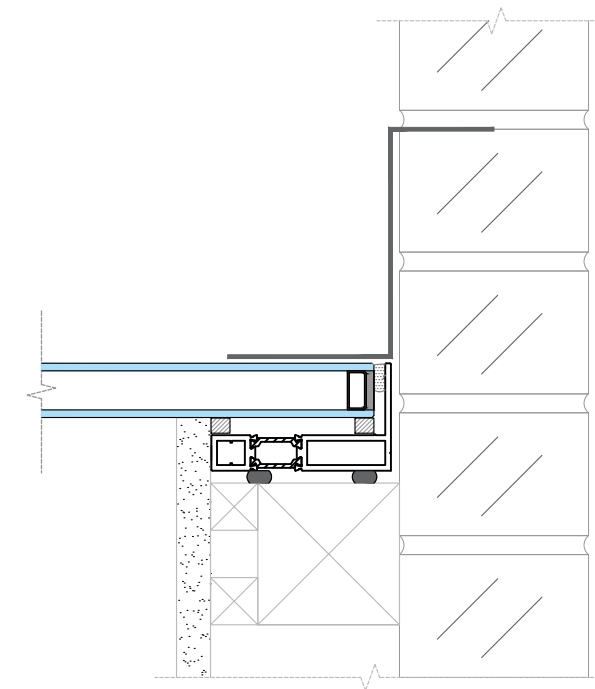
### Profile Dimensions



### Plaster Finishes



### Section Through - Sloped



### Wall Abutment

ODC ROOFLIGHT

ODC Standard Products  
 © All Rights Reserved

Drawing:  
 ODC Flat Rooflight

Date: 26/02/21

Scale: 1:4 @ A3

Drawing No:  
 ODC-SP-RL-FLT-A



ODC Door Glass Systems Ltd  
 www.odcglass.co.uk