

# ODC PYRAMID ROOF LANTERN

## THE ODC PYRAMID ROOF LANTERN CAN BE USED FOR FLAT ROOFS AND ORANGERIES.

It is available in three standard sizes and comes fully factory-assembled, ready for simple site fitting and glazing.

The latest thermal break systems ensure a highly energy efficient product. Hidden and controllable trickle vents provide background ventilation.

### GLASS TYPE

The ODC Pyramid Roof Lantern features the latest roof glass technology including toughened safety glass and energy efficient sealed units. An optional external pane that incorporates a self-cleaning coating and solar control is also available.

### FINISH

The slim aluminium structure is finished in a tough polyester powder coat high gloss white finish.

### ROOF LANTERN PRODUCT RANGE

There are three ODC roof lantern types - Gabled, Hipped and Pyramid.

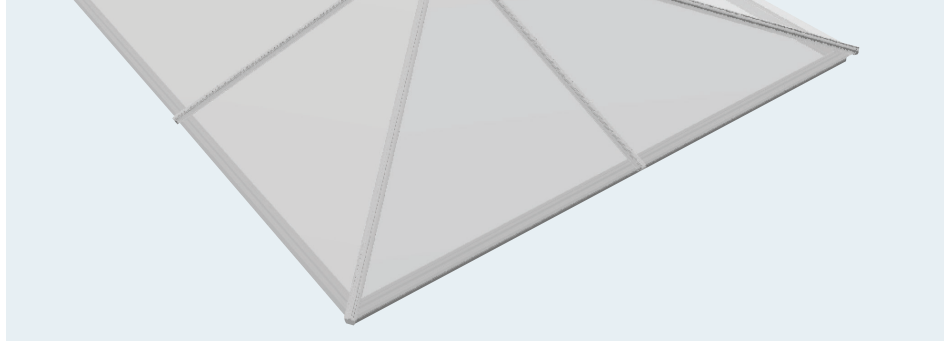
ODC Door & Glass Systems Ltd.

EMAIL: [sales@odcglass.co.uk](mailto:sales@odcglass.co.uk) [www.odcglass.co.uk](http://www.odcglass.co.uk)

CLARITY IN DESIGN

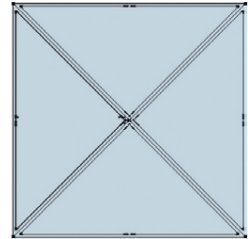


# ODC PYRAMID ROOF LANTERN

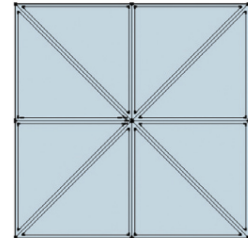


## ODC STANDARD LANTERN SPECIFICATION

<b>CILL TYPE:</b>	135mm
<b>ROOF SLOPE:</b>	17°
<b>FINISH:</b>	White RAL 9910 gloss
<b>GLAZING HP</b> (High Performance)	4mm clear toughened outer. 16mm spacer + argon. 4mm soft-coat toughened inner.
<b>GLAZING HP PLUS</b> (High Performance Plus Easy Clean & Solar Control)	4mm solar neutral + easy clean toughened outer. 16mm spacer + argon. 4mm soft-coat toughened inner.
<b>VENTILLATION:</b>	2No 4000mm trickle vents

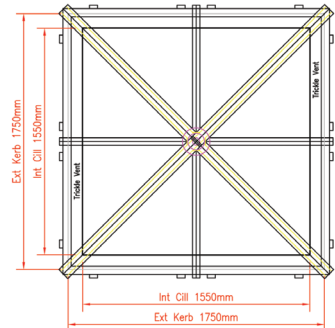
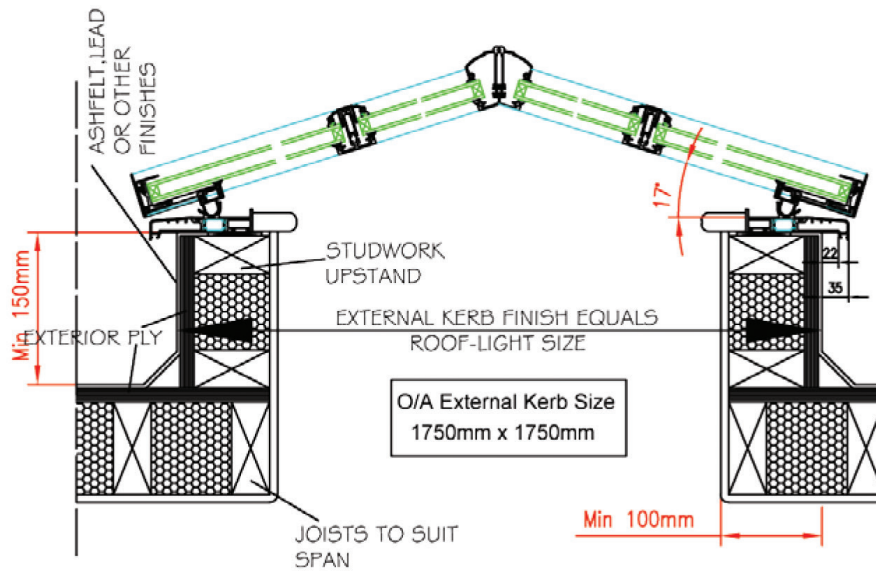


Pyramid - 1000mm x 1000mm



Pyramid - 1500mm x 1000mm  
Pyramid - 2000mm x 1000mm

## SIZE AND DESIGN OPTIONS



Example above shows a Pyramid 1750 x 1750 style. Note: The size you order is the FINISHED EXTERNAL kerb size to build.

FOR MORE EXAMPLES OF OUR WORK VISIT [WWW.ODCGLASS.CO.UK](http://WWW.ODCGLASS.CO.UK) OR VISIT OUR SHOWROOMS:

**LONDON:** 97 Bollo Lane, London W3 8BN

**POOLE:** Sterte Road Industrial Estate, 145 Sterte Road, Poole, Dorset BH15 2AF

SALES: 03300 586 792 CUSTOMER SERVICES: 03300 586 793

CLARITY IN DESIGN

