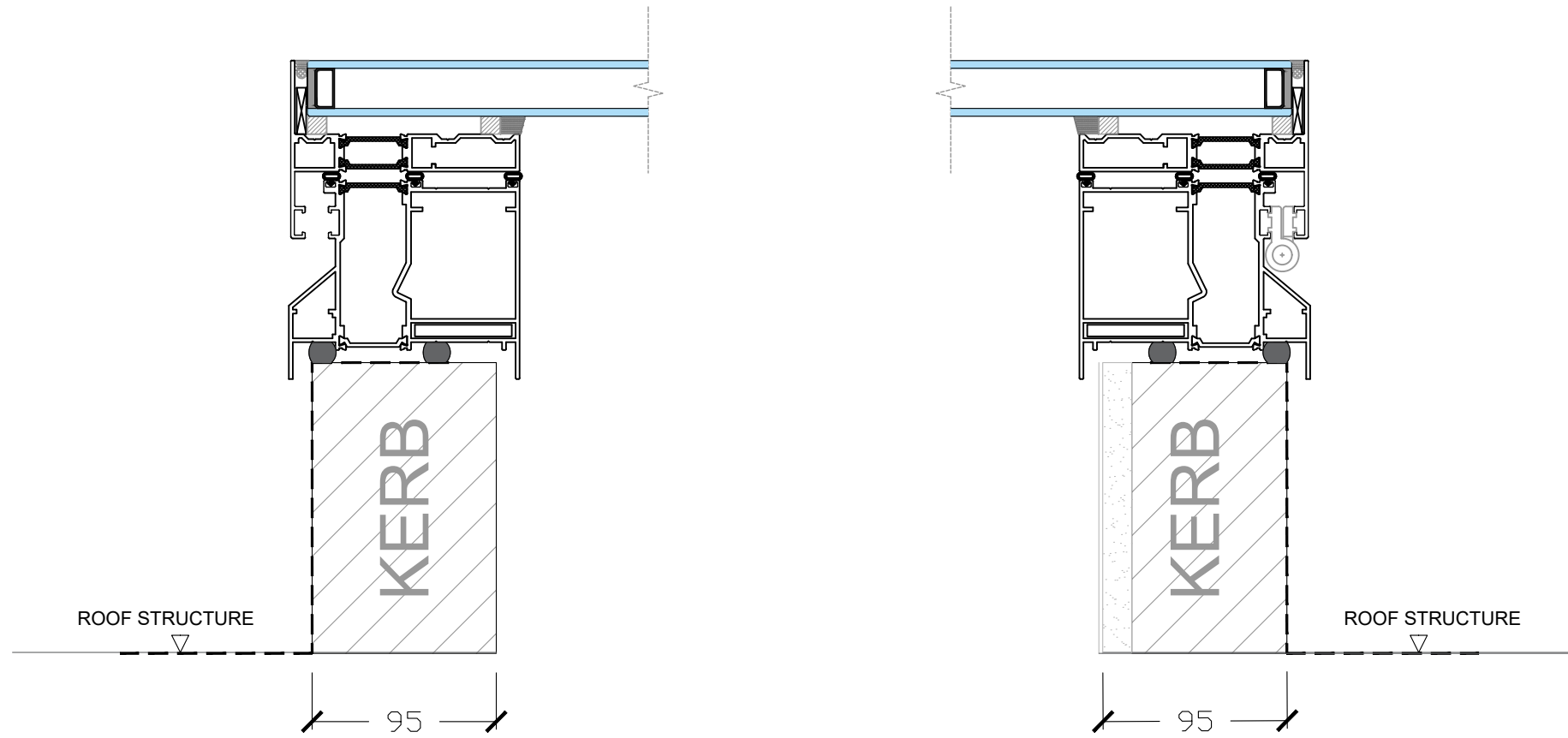
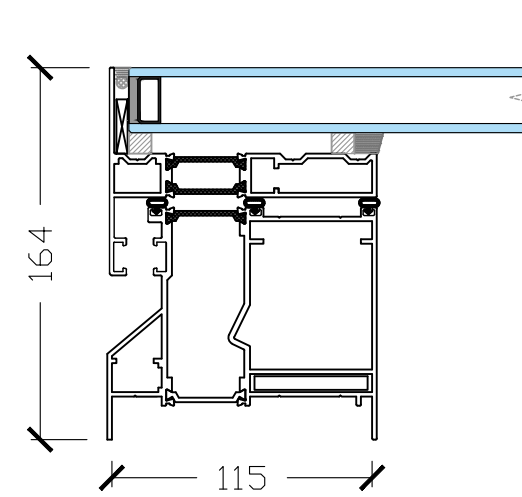


# ODC Electric Opening Rooflight

Minimum Pitch: 5°  
Maximum Pitch: 15°  
Standard Black Vinyl: Supplied at 200mm to be cut in after finishes have been applied  
Upstand Height: Minimum 150mm to comply with Building Regulations  
Upstand Width: Recommended upstand width 95mm including external waterproofing finishes

## Profile Dimensions



ODC OPENING ROOFLIGHT

ODC Standard Products  
© All Rights Reserved

Drawing:  
ODC Opening Rooflight

Date: 26/02/21

Scale: 1:4 @ A3

Drawing No:  
ODC-SP-RL-FLT-A



ODC Door Glass Systems Ltd  
www.odcglass.co.uk