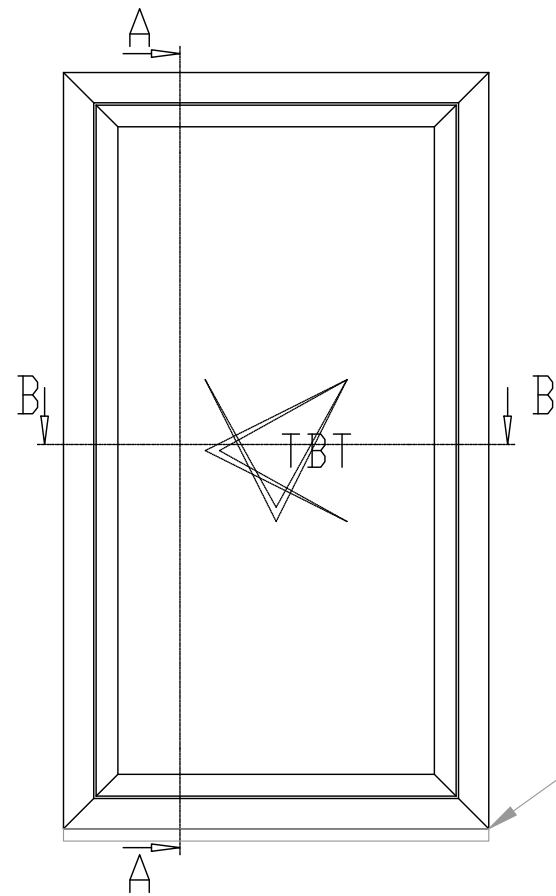


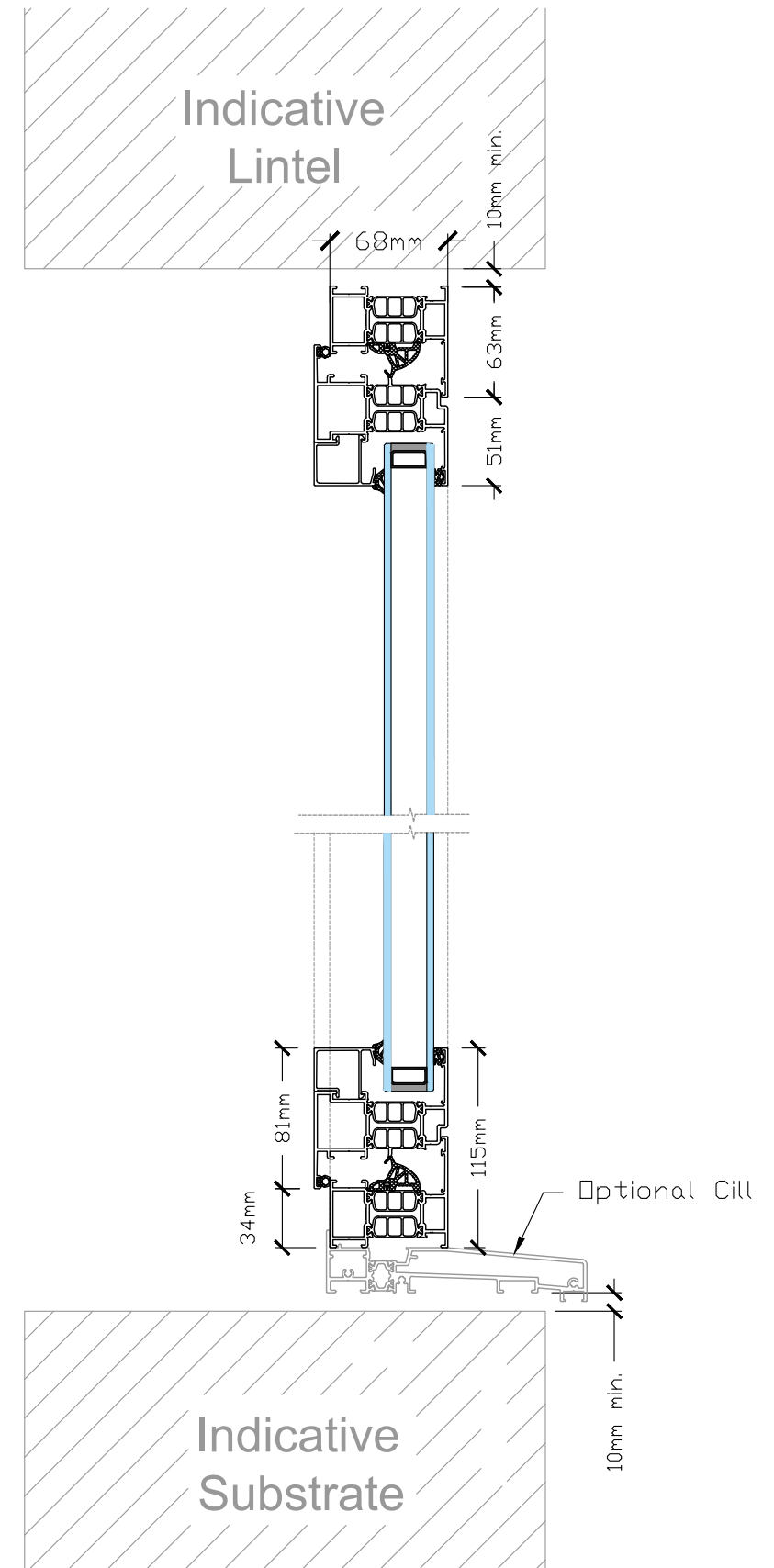
ODC77 - Casement
1:16



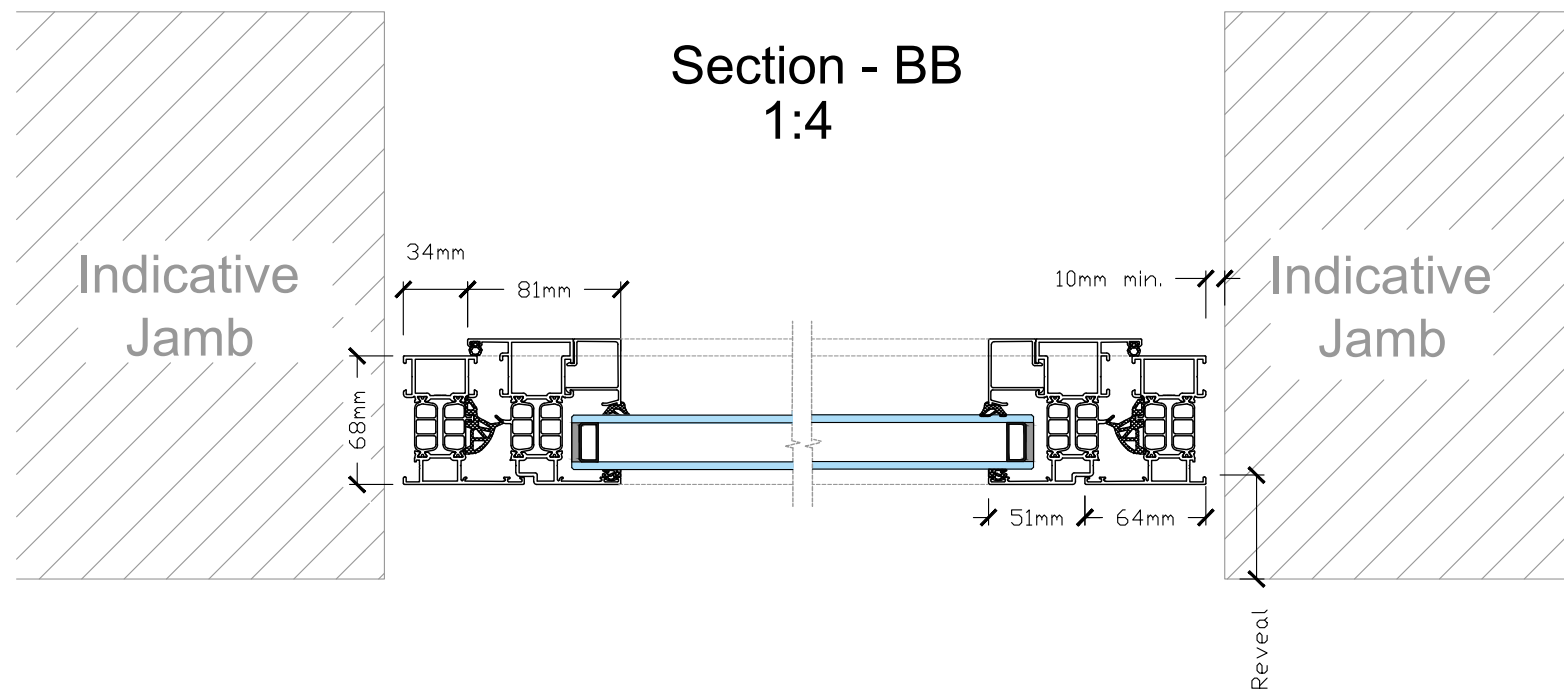
Cill Options:
150mm
180mm
220mm

Bespoke cill pressings available

Section - AA
1:4



Section - BB
1:4



ODC Standard Products
© All Rights Reserved

Drawing:
ODC77 - TBT

Date: 11/07/22
Scale: 1:16 / 1:4 @ A3
Drawing No:
ODC-SP-CS77-TBT-A



ODC Door Glass Systems Ltd
www.odcglass.co.uk

ODC77
Tilt & Turn